

iotaSciences
shaping fluids

isoCell

single-cell cloning

Technical Data Sheet

Version 1.7



Find out more:

w/ iotasciences.com/isocell

e/ info@iotasciences.com

p/ +44 (1865) 309630

Introduction

The isoCell is a compact and lightweight system designed to automate single-cell cloning and enable easy verification of monoclonality in small volumes.

Monoclonality



The isoCell plates single cells into GRID chambers. The chambers do not suffer the edge effects of conventional culture plasticware. As a result, single cells are visible immediately after plating, which enables easy verification of monoclonality.

Workflow automation



The isoCell isolates single cells, feeds and harvests your colonies to achieve better consistency in your cloning experiment via the integrated liquid handling system.

Compact system



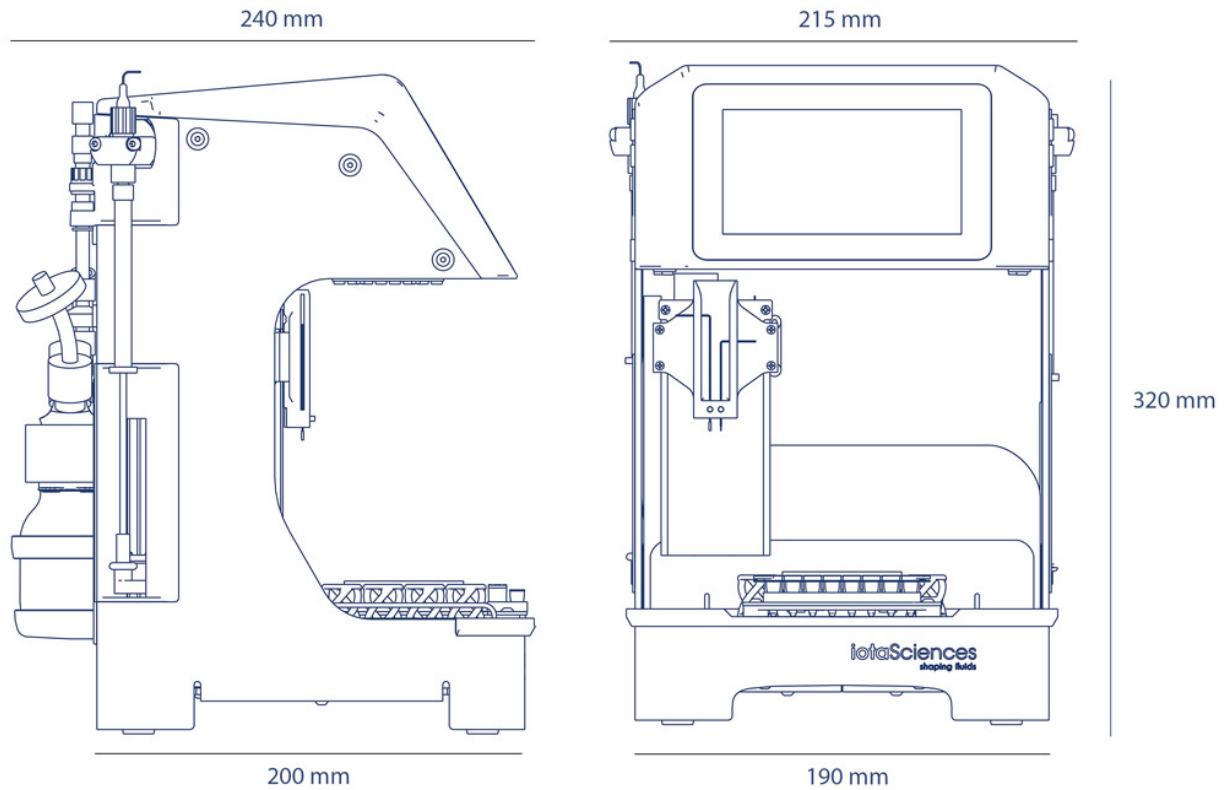
This small footprint and lightweight system easily fits inside your cell culture hood with room to spare. It is a standalone unit, with integrated touch screen, that provides an intuitive step-by-step guide through the cloning workflow.

Specification

<p>Automated functionality</p>	<ul style="list-style-type: none"> • GRID generation in 60 mm culture dish • Plates single-cells • Media exchange (cell feeding) • Cell harvesting using conventional reagents • Workflows for adhesion and suspension cells • Compatible with commonly used reagents and stem cell coatings
<p>GRID details</p>	<ul style="list-style-type: none"> • One GRID contains 256 cell-culture chambers in a single dish • 3.24 mm² area per chamber • Chamber volume < 1 µl
<p>Compatibility with micro titre plates</p>	<ul style="list-style-type: none"> • Harvest colony into either Tissue Culture Treated (TCT) or PCR strips • Compatible with 96-well micro titre plate format
<p>Cell dispensing accuracy and monoclonality</p>	<ul style="list-style-type: none"> • Up to 94 single cell chambers per dish (out of 256)* • Easy verification of monoclonality using any inverted cell culture microscope with 4x/10x objectives <p style="text-align: center;">*Limited by Poisson distribution</p>
<p>Other system features</p>	<ul style="list-style-type: none"> • Nanolitre fluid handling system • Auto-calibration and auto-levelling • Heated bed for improved cell health • UV light and ethanol resistant • Rapid exchange of wetted parts • Automated startup, shutdown and maintenance routines

<p>Software and user interface</p>	<ul style="list-style-type: none"> • Capacitive touch interface (stylus included) • Intuitive GUI guides user through their cloning process • Up to 36 users with nine colour coded dishes in parallel per user • USB port for easy software updates • PC updating (minimum) requirements: Windows 10 • Language: English
<p>Consumables</p>	<ul style="list-style-type: none"> • 18 colour coded dishes (TC - treated or non-treated) • Choose from 8 strip PCR tubes or 8 TCT flat strips (96 well plate format) • Microcentrifuge tubes • FC40^{STAR} proprietary fluid
<p>Operating requirements</p>	<ul style="list-style-type: none"> • Humidity range: 40% to 60% • Power supply input voltage range: 100–240V AC, 50/60Hz, 1.3A • Machine input 24V DC, 3.75A, MAX 90W • Temperature range: 16 °C – 35 °C (60 °F – 95 °F)
<p>Mechanical characteristics</p>	<ul style="list-style-type: none"> • Height 320 mm (12.6") • Width 216 mm (8.5") • Depth 241 mm (9.5") • Mass 4.3 kg (9 lb 8 oz)

Product schematic



Disclaimer

The equipment and its output are not for use in diagnostic procedures. This equipment shall only be used in strict accordance with iotaSciences® terms and conditions.

Unless otherwise stated in the company's terms and conditions or required at law, iotaSciences® does not accept any liability for any loss, damage or injury resulting from the use of this equipment. iotaSciences® disclaims all expressed or implied warranties, warranty of merchantability or fitness for a particular purpose. The user is responsible for determining whether this equipment is fit for a particular purpose and suitable for the user's method of use or application.

This equipment may not be transferred to third parties, resold, or modified for resale.

The company reserves the right to alter, without notice the specification, design or conditions of supply of any product or service. This publication may not be regarded as the representation relating to the products or services concerned.

All trademarks are the property of Iota sciences Ltd and its subsidiaries unless otherwise specified.

©iotaSciences 2020